

## AIR TREATMENT

- Clean, dry air is essential for air powered equipment and tools to run properly and have the lifespan you expect
- Complete filter / regulator / lubricator setups available with either standard filter / regulator, or with a piggyback filter / regulator
- **Filters** - Remove both water and trash from the air down to 5 microns
- **Regulators** - Most air tools are rated for 90 psi - if you are running more than that you will be shortening the life of your tools
- **Lubricators** - Dispense air tool oil automatically - use on air lines that will not be used with paint spray equipment - these should be near the point of use so the oil gets to the tool and does not stay in the line
- All units listed have metal bowls with a sight glass, automatic drains on the filters, and 140 psi pressure gauges on the regulators



C38341-811

C38341-611

1/4" NPT (1.540" OD Pipe)    3/8" NPT (.675" OD Pipe)    1/2" NPT (.840" OD Pipe)    3/4" NPT (1.05" OD Pipe)    1" NPT (1.315" OD Pipe)

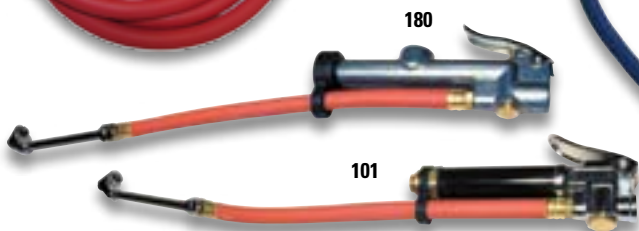
Filter / Regulator (w/gauge) / Lubricator (FRL)				
C38221-811	C38331-811	C38341-811	C38351-811	C38461-811
Piggyback Filter / Regulator (w/gauge) / Lubricator (FR+L)				
C38221-611	C38331-611	C38341-611	C38351-611	C38461-611
Piggyback Filter / Regulator (w/gauge)				
P39224-614	P39334-614	P39344-614	P39354-614	P39464-614
Filter				
F35221-411	F35331-411	F35341-411	F35351-411	F35461-411
Lubricator				
L36221-110	L36331-110	L36341-110	L36351-110	L36451-110
Regulator w/gauge				
R37221-600	R37331-600	R37341-600	R37351-600	R37461-600

## INFLATOR GAUGES

Model	Description
101	Brass bar, 12" hose, dual foot chuck, 10-120 lb
180	Sight glass, 12" hose, dual foot chuck, 10-120 lb
17-870	Sight glass, 72" hose, dual foot chuck, bleeder valve, 10-120 psi
I-515-6	Dial, 72" hose, clip on chuck, bleeder valve, 0-170 psi
I-530-6	Dial, 72" hose, dual foot tilt lock chuck, bleeder valve, 0-170 psi
I-450-6	Digital, 72" hose, clip on chuck, bleeder valve, 0-150 psi



I-515-6



180

101



I-450-6

## AIR HOSE REELS

- Low pressure (300 psi) for air, water & antifreeze
- Powder coated steel construction



- Single side support
- **JD-3850:** 3/8" ID x 50'
- **JD-1250:** 1/2" ID x 50'



- Single (SL) or dual (PL) side support
- **RH-33SL:** 3/8" ID x 33'
- **RH-50SL:** 3/8" ID x 50'
- **RH-50PL:** 3/8" ID x 50'



- Dual side support
- **760:** 3/8" ID x 50'
- **761:** 1/2" ID x 50'

## RUBBER AIR HOSE

- Heavy duty, non-kink, reinforced hoses
- **3 sizes / lengths available:**  
**GYR3825:** 3/8" ID x 25', 1/4" NPT ends  
**GYR3850:** 3/8" ID x 50', 1/4" NPT ends  
**GYR1250:** 1/2" ID x 50', 1/2" NPT ends  
 \* 3/8" hoses may be either red or yellow



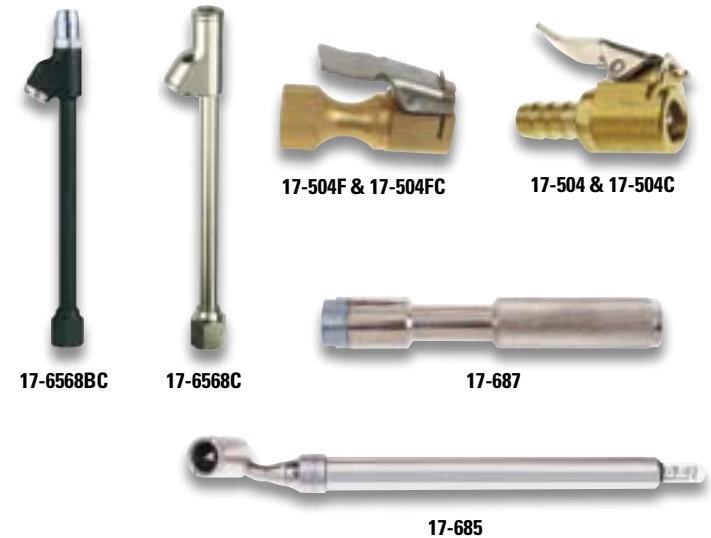
## AIR GAUGES

Model	Description
<b>17-1045BC</b>	10-150 psi, dual foot straight-on (2 sided bar), black
<b>17-1045C</b>	10-150 psi, dual foot straight-on (2 sided bar), chrome
<b>17-1313C</b>	10-150 psi, dual foot (2 sided bar), chrome
<b>17-909C</b>	1-20 psi, pencil style
<b>17-910C</b>	10-50 psi, pencil style
<b>17-911C</b>	20-120 psi, pencil style
<b>17-912C</b>	10-75 psi, pencil style



## AIR CHUCKS

Model	Description
<b>17-6568BC</b>	Dual foot straight-on tilt lock, closed - 1/4" NPT, black
<b>17-6568C</b>	Dual foot straight-on tilt lock, closed - 1/4" NPT, chrome
<b>17-504</b>	Straight type with clip, open - barbed
<b>17-504C</b>	Straight type with clip, closed - barbed
<b>17-504F</b>	Straight type with clip, open - 1/4" NPT
<b>17-504FC</b>	Straight type with clip, closed - 1/4" NPT



## LARGE BORE SERVICE

Model	Description
<b>17-685</b>	Air gauge, 10-150 psi, swivel foot (4 sided bar), chrome
<b>17-687</b>	Air chuck, lock-on type, long - 1/4" NPT

## AIR HOSE COUPLERS & NIPPLES

	1/4" Male Coupler	1/4" Male Nipple	1/4" Female Coupler	1/4" Female Nipple
<b>ARO</b>				
	Rema 2131 Milton 776 G31 17-347 Tru-Flate 13-324 Amflo C-37 Dill ---	Rema 2231 Milton 777 G31 17-221 Tru-Flate 12-324 Amflo CP-37 Dill 8891	Rema 2132 Milton 775 G31 17-342 Tru-Flate 13-334 Amflo C-38 Dill 8888	Rema 2232 Milton 778 G31 17-231 Tru-Flate 12-334 Amflo CP-38 Dill 8889
	<b>INDUSTRIAL</b>			
Rema 2139 Milton 716 G31 17-332 Tru-Flate 13-224 Amflo C-21 Dill 103		Rema 2239 Milton 727 G31 17-222 Tru-Flate 12-224 Amflo CP-21 Dill 110	Rema 2140 Milton 715 G31 17-322 Tru-Flate 13-234 Amflo C-20 Dill 102	Rema 2240 Milton 728 G31 17-232 Tru-Flate 12-234 Amflo CP-20 Dill 109
<b>TRU-FLATE</b>				
	Rema 2121 Milton 786 G31 17-336 Tru-Flate 13-124 Amflo C-1 Dill D-12	Rema 2221 Milton 783 G31 17-224 Tru-Flate 12-124 Amflo CP-1 Dill D-2C	Rema 2122 Milton 785 G31 17-326 Tru-Flate 13-134 Amflo C-2 Dill D-13	Rema 2222 Milton 784 G31 17-234 Tru-Flate 12-124 Amflo CP-2 Dill D-3C
	Rema 2155 Milton 1816 G31 17-364 Tru-Flate 13-705 Amflo C-9 Dill D-16	Rema 2255 Milton 1817 G31 17-263 Tru-Flate 12-704 Amflo CP-9 Dill D-2F	Rema 2156 Milton 1815 G31 17-363 Tru-Flate 13-712 Amflo C-10 Dill D-17	Rema 2256 Milton 1818 G31 17-264 Tru-Flate 12-712 Amflo CP-10 Dill D-3F